



MULTI-PURPOSE NIGHT VISION MONOCULAR

FLIR SPARK®

The FLIR Spark is a rugged, but light-weight multi-purpose night vision monocular. The Spark is built using our proprietary CORE™ (Ceramic Optical Ruggedized Engine) image tube, which includes double the resolution of Gen 1 devices. This provides flatter, clearer night vision images. The CORE platform offers 'best in class' resolution with up to 70 lp/mm, and increased photocathode sensitivity levels of upwards of 400µm/lm, providing image quality that rivals that of high-end Gen 2 image tubes, even in challenging ambient light conditions.

With optional accessories, it can be used hand-held or head-mounted at a budget price. With optional 3x afocal lens and IR illuminator, it can serve as a medium range, ultra-high resolution spotting scope and with optional camcorder/camera adapter, you can even take footage or stills though it in darkness.

www.flir.com



EXCEPTIONAL VISION

FLIR exclusive – CORE (Ceramic Optical Ruggedized Engine) image tube

- The CORE platform offers 'best in class' resolution with up to 70 lp/mm, and increased photocathode sensitivity levels of upwards of 400µm/lm
- Built-in IR illuminator enhances night vision and allows for reading in the dark



VERSATILE DESIGN

Multiple viewing options accommodates rapidly changing field needs

- Use as a handheld monocular
- Position as a left or right eye monocular, or keep fully stowed away
- Mount to a helmet, headgear, or camera



COMPACT AND RUGGED

Perfect balance of size and performance

- Built with a tough, ergonomic composite housing
- Needing only a single CR123A battery for convenient operation, it can run up to 40 hours
- Ergonomic, simple, easy to operate controls

SPECIFICATIONS

General

Image intensifier tube	CORE
Magnification	1x standard (3x, 5x optional)
Lens system	35mm, F/1.7
FOV	35°
Focus range	0.25m to infinity
Eye relief	20 mm
Diopter adjustment	-5 to +5 dpt

User Interface

Operation switch	On/ Off
Focus ring	Focuses the objective lens
Battery indicator	Battery status indication (in FOV)

Features

Low battery indicator	Yes
Infrared illuminator	Yes
IR Indicator	Yes

Power

Battery type	Single CR123A (3V)
Battery life (operating)	Up to 40 hours at 20°C

Environmental

Operating temperature range	-40°C to +50°C (-40°F to +122°F)
Storage temperature range	-50°C to +70°C (-58°F to +158°F)

Physical

Weight	0.37 kg (0.8 lbs)
Overall dimensions	181×49×82 mm (7.1×1.9×3.2 in)
Dimensions (without eyecup and lens cap)	145×49×82 mm (5.7×1.9×3.2 in)
Color (housing)	Black

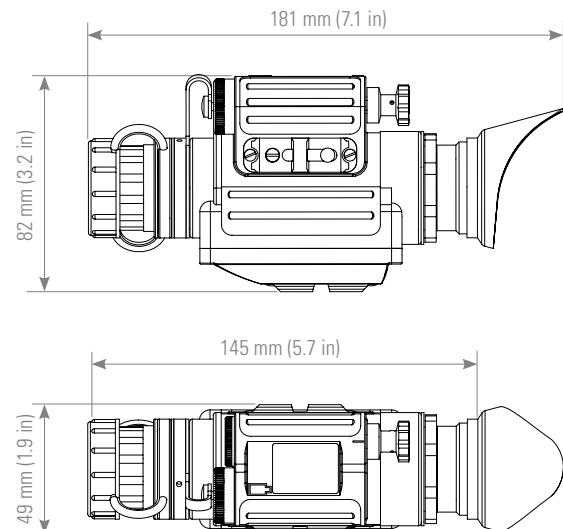
Package Includes

Night Vision Monocular, Lens Cap, Eyecup, Operation and Maintenance Manual, Lens Cloth, Soft Carrying Case

Specifications are subject to change without notice.
For the most up-to-date specs, go to www.flir.com

Optional Accessories

ANHG000001 - Goggle Kit #1
 ANHM000002 - Helmet Mount #3 (MICH/PASGT)
 ANHM000170 - Helmet Mount #170 (Shroud)
 ANHG000002 - Swing Arm #37 – Mini Rail Adapter to Bayonet Mount
 ANHM000172 - Swing Arm #172 – Mini Rail to Dovetail Adapter
 ANHM000197 - Dual Bridge #197 with individual side Flip-Up Mechanism (Spark)
 ANAF3X0023 - 3x Afocal Lens Kit (Spark, Sirius, Nyx-7): Lens #22 with Adapter #23
 ANAF5X0023 - 5x Afocal Lens (Spark, Sirius, NYX-7) with Adapter #23
 ANAMRF0003 - ARFS3 – Advanced Range-Finding Stadia for 3x A-Focal Lens
 ANAMRF0005 - ARFS5 – Advanced Range-Finding Stadia for 5x A-Focal Lens
 ANAM000002 - Scope Adapter Mount #5 – Allows NV Monocular to be mounted behind standard daytime optics for nighttime use
 ANAM000004-QRM – Quick-Release Weapon Mount #26/ #142
 ANAM000045-Extended Rail Adapter #85 – Dovetail Weaver Picatinny Rail Adapter (extends scope base)
 ANKIXLR017-IR850-XLR Detachable Extra Long Range IR Illuminator w/Dovetail to Weaver Transfer Piece #21, Rechargeable Battery, and Charger
 ANAF18XLRM - IR850XLR Afocal Doubler – Enhances performance of IR850-XLR
 ANAM000016 - Camera Adapter #47
 ANAM000006 - Universal Camera Adapter #45 – Fully-Adjustable Video/ Photo Camera Adapter
 ANHC000001 - Hard Shipping/ Storage Case #101



FLIR OUTDOOR & TACTICAL SYSTEMS

9 Townsend West,
Nashua, NH 03063

Phone: 1-888-959-2259
or (603) 324-7600
Fax: 1-888-959-2260

FLIR PRODUCT REPAIR CENTER

email: US_CBUrepair@flir.com
Register on: customer.flir.com

ORDER PLACEMENT, RETURN TO STOCK & INQUIRIES

email: OTS-Orders@flir.com

PRODUCT REGISTRATION

flir.com/support-center/support-hq/

TECHNICAL SUPPORT

email: US_CBUsupport@flir.com

www.flir.com
NASDAQ: FLIR

Equipment described herein may require US Government authorization for export purposes. Diversion contrary to US law is prohibited. Imagery for illustration purposes only. Specifications are subject to change without notice, check our website: www.flir.com
©2018 FLIR Systems, Inc. All rights reserved.
Updated 11/22/2018

18-2274-OTS



The World's Sixth Sense™