

# vCam-5 Standard System

The versatile vCam-5 inspection system is a feature rich lateral and small mainline camera at an affordable price. Available in three pushrod lengths and two user changeable camera sizes it can handle most of the day-to-day inspection jobs. Some of the standard features include five hour life, traceable pushrod, locatable sonde, daylight viewable display, full QWERTY keyboard and internal microphone. The system comes ready to use with LACP observation software.



8" Daylight viewable LCD



RS232 Port for LACP software interface



Camera test port



Record to 500GB hard drive or USB



Internal microphone



Distance counter



512/640Hz Sonde



AC/DC operation with Li-ion rechargeable batteries



Full QWERTY keyboard

Easy secure reel mounting

Stainless-steel construction reels and camera heads



Field serviceable spring, coiled cable and lanyards

200'/60M, 300'/90M and 400'/120M pushrod lengths

D34-C Self-leveling, 1.3"/34mm dia. camera



D46-CP Self-leveling, 1.8"/46mm dia. camera

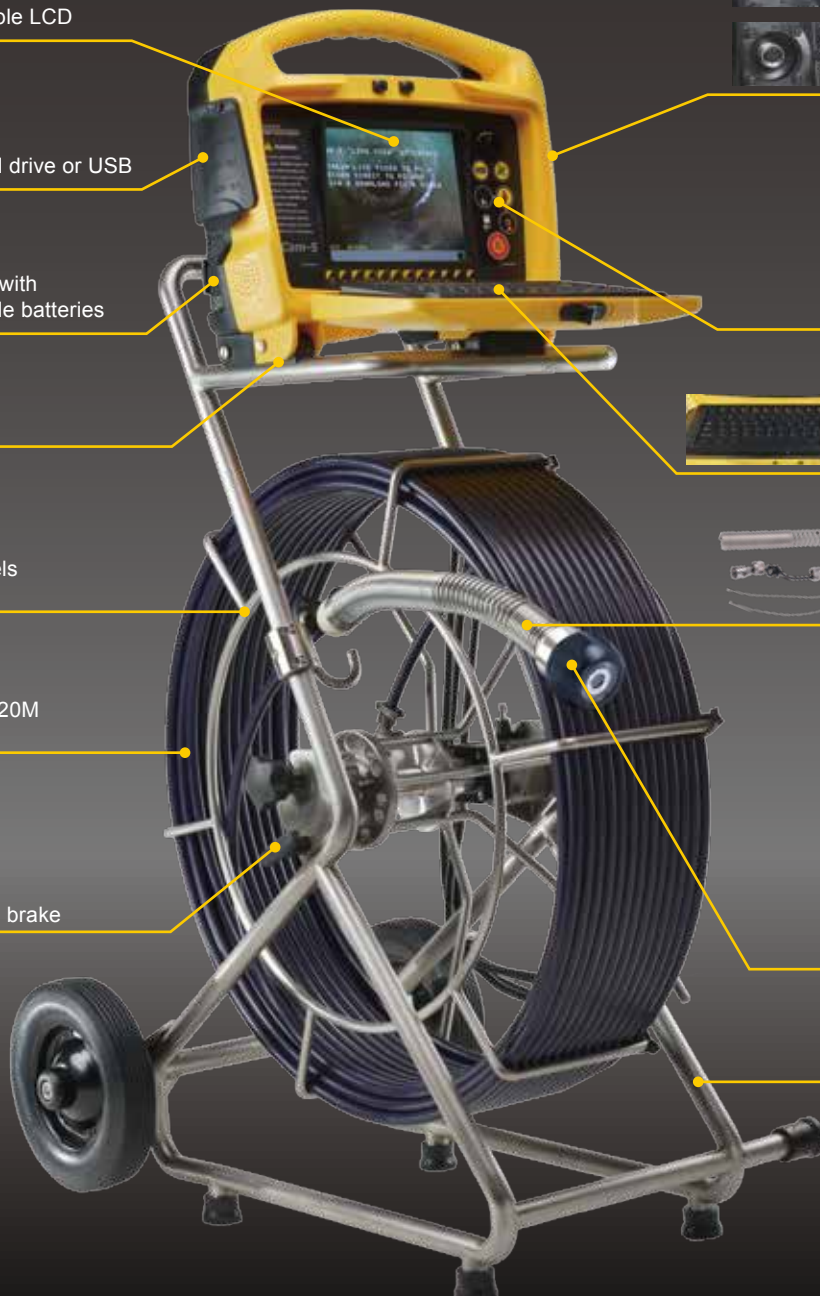


User changeable camera heads



Locking and friction brake

Narrow profile for gateways and stairwells



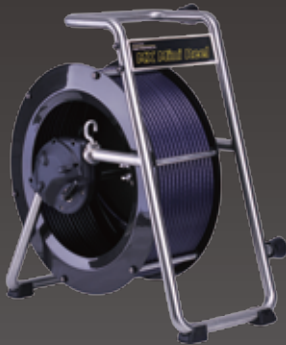
**Ordering information**

Order Code	Description
VC5-C200A-D34	200 foot CP Reel, D34 1.3"/34mm Self-leveling Camera and Control Module
VC5-C400A-D34	400 foot CP Reel, D34 1.3"/34mm Self-leveling Camera and Control Module
VC5-C200A-D46	200 foot CP Reel, D46 1.8"/46mm Self-leveling Camera and Control Module
VC5-C400A-D46	400 foot CP Reel, D46 1.8"/46mm Self-leveling Camera and Control Module

vLocCam2 and VM-540 Sonde and camera locators



**Popular Accessories:**



Mini Reel and Cameras



Rotate and Tilt Mounting Table



Sun Shade



Camera Skids

Local vCam Dealer:

**Vivax-Metrotech Corporation**

3251 Olcott Street, Santa Clara, CA 95054, USA

**T/Free: 800-446-3392**

**Tel: 408-734-1400**

www.vivax-metrotech.com

